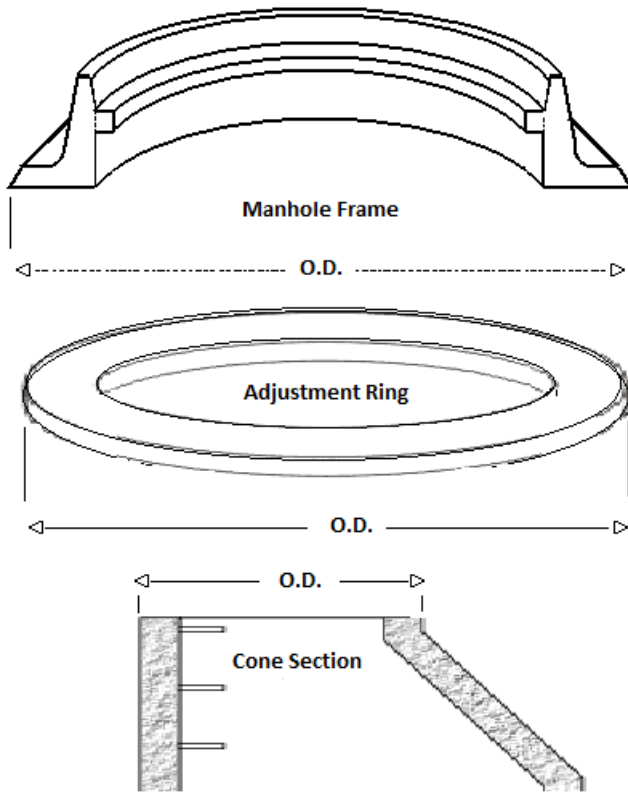


Sealing Systems, Inc.

External Uni-Band Order Form



IMPORTANT

S.S.I. Uni-Bands are available in different sizes: It is crucial that we have these dimensions (left photo) to ensure your seals will work properly on the structures.

ORDER QUANTITY (PER SIZE)	MANHOLE FRAME OUTSIDE DIAMETER (O.D.)	ADJUSTMENT RING OUTSIDE DIAMETER (O.D.)	TOTAL HEIGHT OF ADJUSTMENT	CONE SECTION OUTSIDE DIAMETER (O.D.)	Provide Foundry name and casting Model Number if available.

ORDER PLACED BY: _____ ORGANIZATION: _____

PURCHASE ORDER NO.: _____ PAGE(S): _____ of _____

IMPORTANT NOTICE REGARDING SIZING INFORMATION

Sealing Systems, Inc. is unable to process any order without the above referenced sizing and style information. Please contact Sealing Systems, Inc. directly should you have any questions prior to submittal of your order.